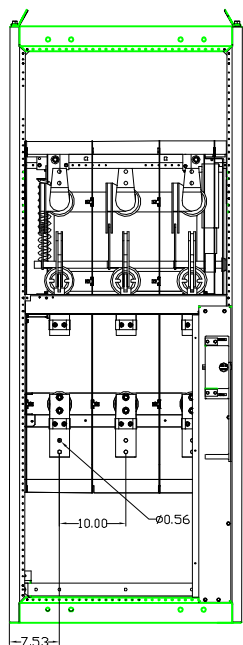
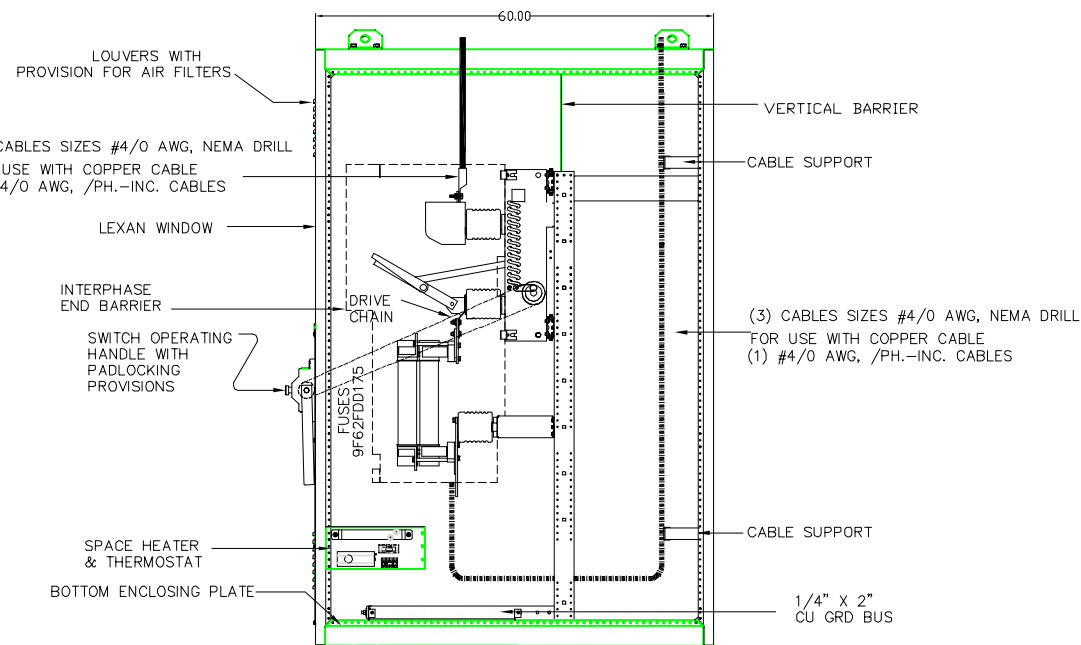


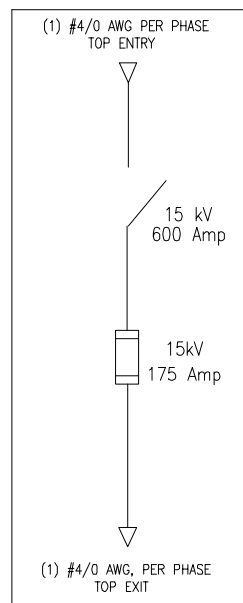
FRONT VIEW



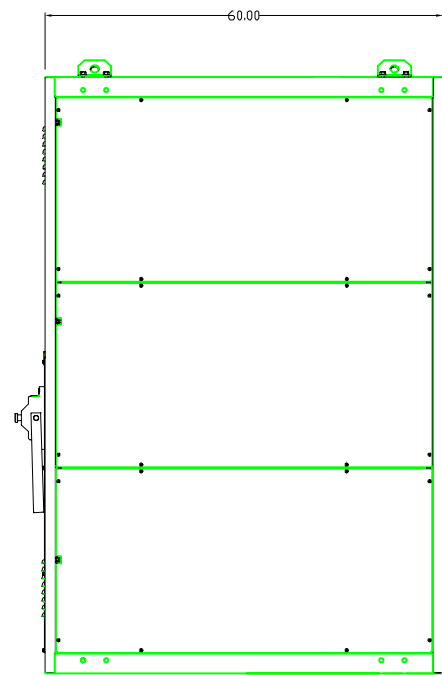
FRONT VIEW W/O COVERS



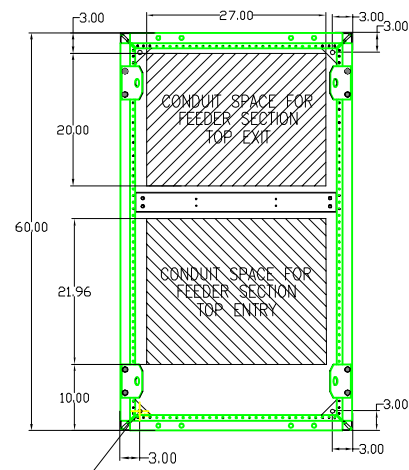
SIDE VIEW W/O COVERS



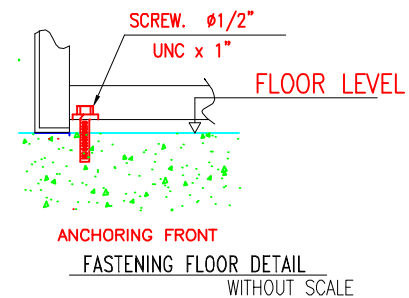
SINGLE LINE DIAGRAM



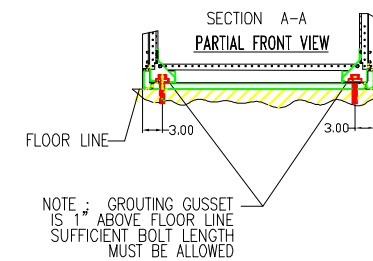
RIGHT SIDE VIEW



ENCLOSURE FRONT TOP VIEW



ADDITIONAL ACCESSORIES:
 REAR DOOR
 SPACE HEATERS
 DUST RESISTANT
 SEISMIC ZONE 4



BUS AMPS:	600 A	SERVICE:	3P3W	MARKS:	NONE
VOLTAGE:	15 kV	FREQ:	60 Hz	UL LABEL:	UL/CUL
BIL LEVEL:	95 kV	ITEM (S):	1	BUS MATL:	Cu SILVER PLATED
MOM AMPS:	40 kA Asym.	ACCESS:	FRONT & REAR REQUIRED		
FAULT AMPS:	40 kA Asym.	JOB NAME:	RFP PLY 4 (2)		

GENERAL ARRANGEMENT

DESIGNED:	M. GOMEZ	APPROVED:	A. ALMAGUER	LANGUAGE:	ENGLISH	SHOP ORDER No.	LS22406
DATE:	01/06/07	DATE:	01/06/07	AREA:	LIS ENG	PLANT:	GE EDESA, MTY
1	RMVD RUN BACK BUS	R. VALENZUELA	01/25/07	R. VALENZUELA	01/25/07	ENS. SIG.	A1
0	APPROVAL DRAWINGS	M. GOMEZ	01/06/07	A. ALMAGUER	01/06/07	ESC:	ACOT: SHEET: 1 OF 2
No.	REVISION	By	Date	By	Date		

THIS DRAWING IS THE PROPERTY OF GE EQUIPMENT INC. AND CONTAINS CONFIDENTIAL INFORMATION WHICH MUST NOT BE DUPLICATED, USED, OR DISCLOSED OTHER THAN EXPRESSLY AUTHORIZED BY GENERAL ELECTRIC.

REC. 47210WS

BREAKMASTER LOAD INTERRUPTER SWITCH



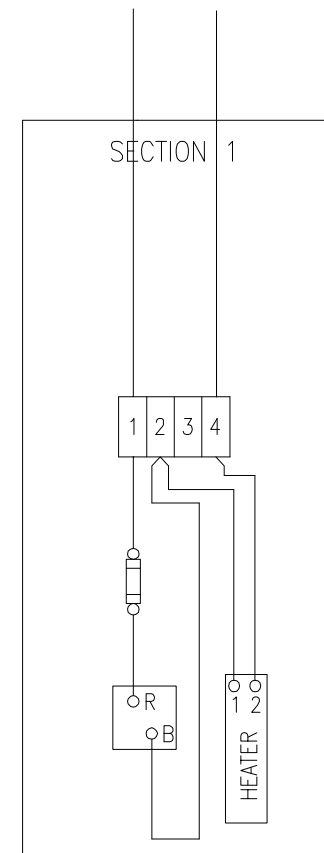
REQ. NO.	4721QWSI
FACTORY ORDER NO.	178LS22406
SWITCH SERIAL NO.	SEE UNIT
MANUFACTURE DATE	SEE UNIT

RATED MAXIMUM VOLTAGE	KV	15
IMPULSE WITHSTAND (BIL)	KV	95
NORM. FREQ. WITHSTAND	KV	36
FREQUENCY	HZ	60
CONTINUOUS CURRENT	A SYM	600
LOAD INTERRUPTING CURRENT	A SYM	600
MOMENTARY CURRENT	KA ASYM	40
SHORT TIME – CURRENT	KA SYM	25
–TIME	SEC	2
FAULT CLOSING CURRENT	KA ASYM	40

FUSE RATING	175
FUSE CATALOG NO.	9F62FDD175
INTEGRATED SWITCH AND FUSE SHORT CIRCUIT CURRENT	KA ASYM 40

MAIN BUS AMPACITY	A	N/A
MAIN BUS BRACING	KA ASYM	N/A
ENCLOSURE TYPE	CATEGORY B	INDOOR

120 VAC
EXTERNAL POWER SOURCE



SPACE HEATER DIAGRAM

ADDITIONAL ACCESSORIES:
REAR DOOR
SPACE HEATERS
DUST RESISTANT
SEISMIC ZONE 4

BUS AMPS: 600 A	SERVICE: 3P3W	MARKS: NONE	
VOLTAGE: 15 kV	FREQ: 60 Hz	UL LABEL: UL/CUL	
BIL LEVEL: 95 kV	ITEM (S): 1	BUS MATL: Cu SILVER PLATED	
MOM AMPS: 40 kA Asym.	ACCESS: FRONT & REAR REQUIRED		
FAULT AMPS: 40 kA Asym.	JOB NAME: RFP PLY 4 (2)		

GENERAL ARRANGEMENT

DESIGNED: M. GOMEZ	APPROVED: A. ALMAGUER	LANGUAGE: ENGLISH	SHOP ORDER No. LS22406
DATE: 01/06/07	DATE: 01/06/07	AREA: LIS ENG	PLANT: GE EDESA, MTY
0 APPROVAL DRAWINGS		M. GOMEZ 01/06/07	A. ALMAGUER 01/06/07
No.	REVISION	By Date	By Date
		GE Consumer & Industrial <small>THIS DRAWING IS THE PROPERTY OF GE EQUIPMENT INC. AND CONTAINS CONFIDENTIAL INFORMATION WHICH MUST NOT BE DUPLICATED, USED, OR DISCLOSED OTHER THAN EXPRESSLY AUTHORIZED BY GENERAL ELECTRIC.</small>	
		ESC:	ACOT:
		SHEET: 2 OF 2	REV. 0

IMPORTANT
DRAWINGS ARE INTENDED TO BE IN ACCORDANCE WITH APPLICABLE PURCHASE ORDER SPECIFICATIONS. UNIT(S) UNDER THIS REQUISITION WILL BE MANUFACTURED EXACTLY AS SHOWN IN THESE FILES. IF THESE DRAWINGS DO NOT MEET CUSTOMER NEEDS YOUR IMMEDIATE RESPONSE IS REQUIRED. FEATURES NOT COVERED BY THE PURCHASE ORDER SPECIFICATIONS WILL BE IN ACCORDANCE WITH GENERAL ELECTRIC STANDARD DESIGN PRACTICES. PURCHASER'S CHANGES WILL REQUIRE EXTRA ENGINEERING, DRAFTING OR MODIFICATION OF MATERIAL AND CONSTRUCTION FOR WHICH ADDITIONAL CHARGES WILL BE MADE. THESE CHANGES MAY ALSO EXTEND SHIPMENT. TO FACILITATE ENGINEERING AND EXPEDITE MANUFACTURING, ANY CHANGES AND/OR CORRECTIONS SHOULD BE MARKED ON DRAWINGS.

REC. 4721QWSI